

NOTE: AT ALL HEADWALL AND PARAPET CONDITIONS, PROPER COUNTERFLASH IS REQUIRED.

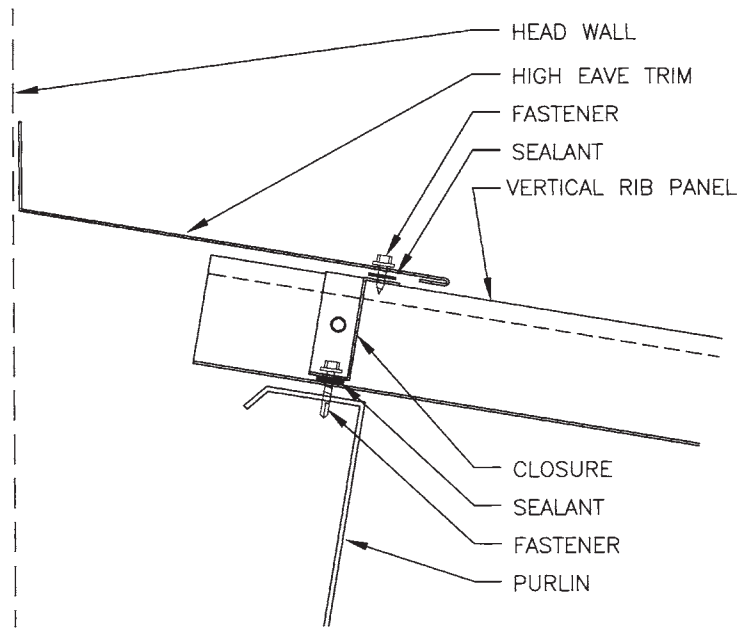
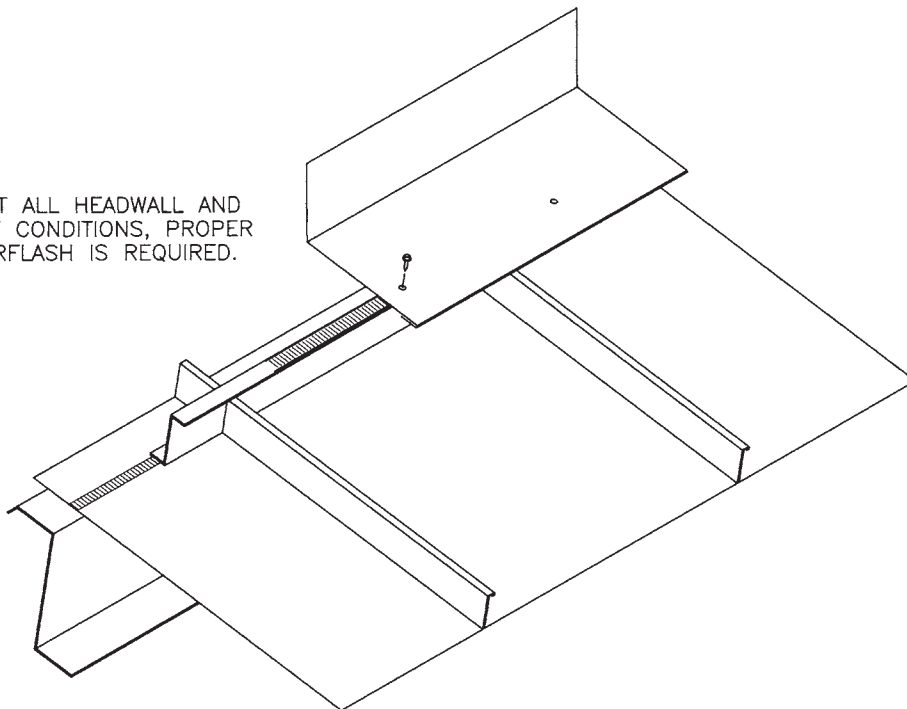


FIGURE 6.38 Details of vertical-rib roofing at nonvented fixed high eave abutting a head wall. (MBMA.)

NOTE: AT ALL HEADWALL AND PARAPET CONDITIONS, PROPER COUNTERFLASH IS REQUIRED.

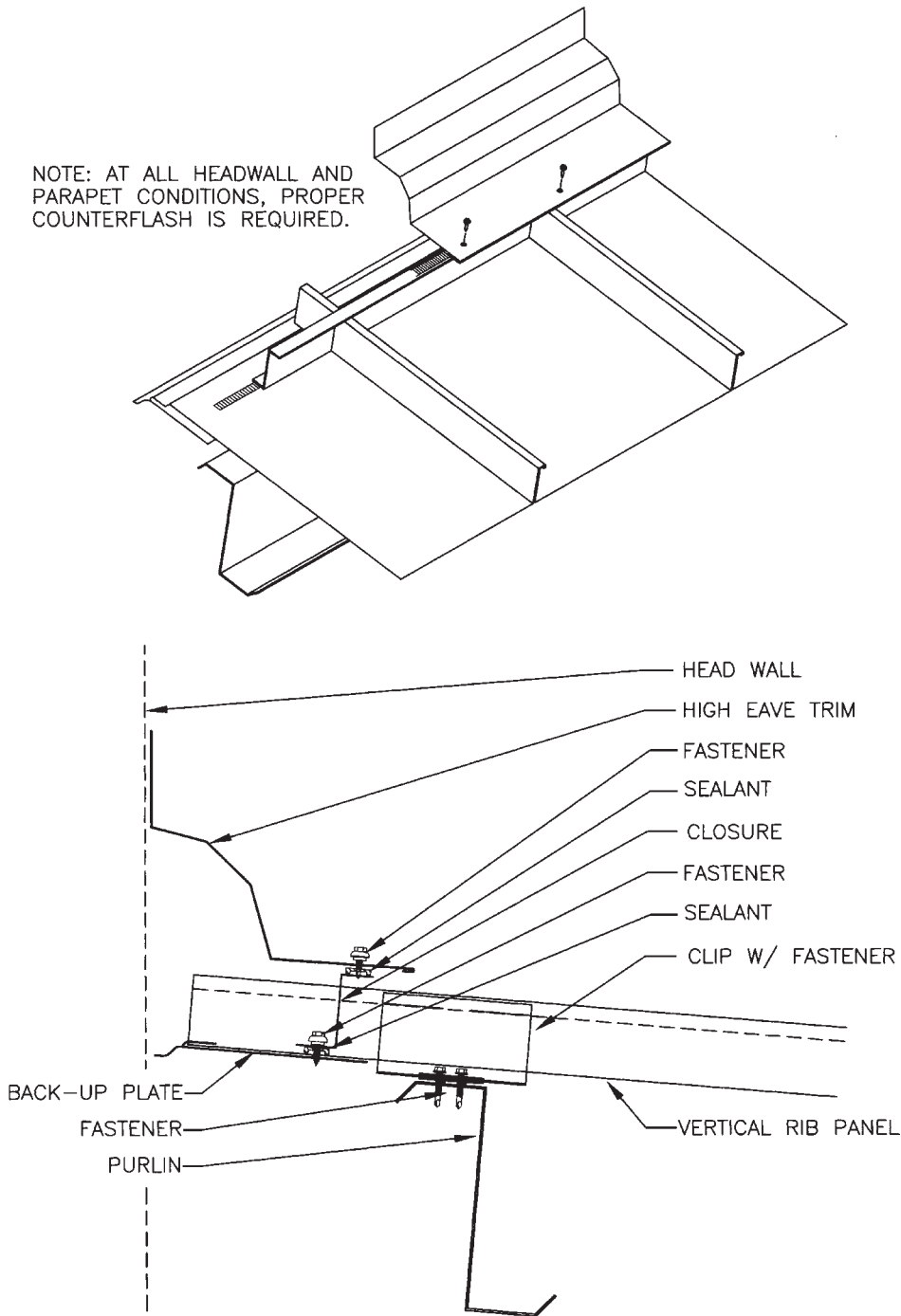


FIGURE 6.39 Details of vertical-rib roofing at nonvented fixed high eave abutting a head wall. (MBMA.)